

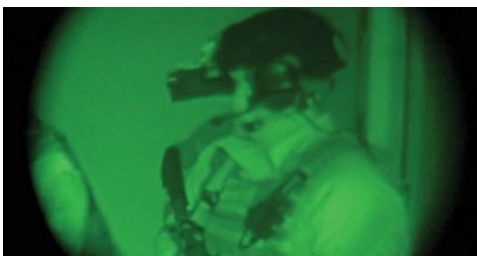


**MULTI-PURPOSE NIGHT VISION  
MONOCULAR**

**ARMASIGHT by FLIR  
MNVD-40®**

The Armasight by FLIR MNVD is a multi-purpose night vision monocular. It can be hand held, head mounted, helmet mounted, or weapon mounted. With a 40° field of view (FOV), it provides a large visual field without needing to move the monocular. The MNVD uses advanced multi-coated optics and is built to last with a compact composite housing. Operating from a single AA alkaline battery or CR123A battery, the MNVD can run up to 40 hours.

[www.flir.com/ots](http://www.flir.com/ots)



**EXCEPTIONAL VISION**

Manual variable gain control and built-in infrared illuminator

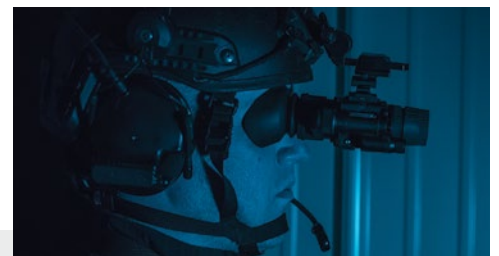
- MNVD is equipped with manual variable gain control so that the image brightness level can be selected by user to adjust for ambient light level in his area of operations.
- Built-in IR illuminator and flood lens enhances night vision and allows for reading in the dark.



**COMPACT AND RUGGED**

Perfect balance of size and performance

- Built with a tough, ergonomic composite housing.
- Needing only a single AA battery or one CR123 battery for convenient operation, can run up to 40 hours.



**FLEXIBLE MOUNTING OPTIONS**

Packed with features for a versatile and customizable viewing experience

- For hands-free operation, the MNVD includes head and helmet mounting options, it can be used as a night vision system that enables mobility, driving, short-range surveillance, and low light reading.
- Operated by a single gain control knob, the MNVD utilizes features like a flip-up-turn-off, and a flip-down-turn-back-on option when mounted to a helmet.

## SPECIFICATIONS

General	
Image intensifier tube	Gen 2+ or Gen 3
Magnification	1x (3x and 5x optional)
Lens system	27 mm; F/1.3
FOV	40°
Focus range	0.25m to Infinity
Eye Relief	25 mm
Diopter adjustment	-6 to +2 dpt
User Interface	
Operation knob	Power ON/ OFF; manual gain control
IR button	IR illuminator ON/OFF
Diopter adjustment ring	Adjusts the eyepiece diopter
Focus ring	Adjusts the objective lens focus
LED indicators	Indicates low battery, IR On, and excessive light conditions
Features	
Manual gain control	Yes
Bright light cut-Off	Yes
Automatic shut-off system	Yes
Low battery indicator	Yes
Infrared illuminator	Yes
Power	
Battery Type	One CR123A (3V) or AA (1.5 V)
Battery Life (Operating)	Up to 40 hours at 20°C
Environmental	
Operating Temperature Range	-40°C to +50°C (-40°F to +122°F)
Storage Temperature Range	-50°C to +50°C (-58°F to +122°F)
Physical	
Weight	0.34 kg (0.75 lbs)
Size	115 × 49 × 73 mm (4.5 × 1.9 × 2.8 in)
Color (housing)	Black
Country of Origin	USA

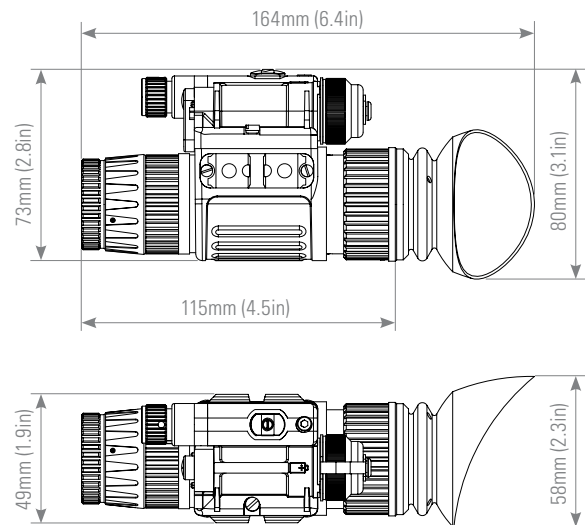
Specifications are subject to change without notice.  
For the most up-to-date specs, go to [www.flir.com](http://www.flir.com)

## Package Includes

Night Vision Monocular, Lens Cloth, Quick Start Guide, Soft Carrying Case

## Optional Accessories

ANHG000004 – Goggle Kit #2  
 ANHG000002 – Swing Arm #37 - Mini Rail Adapter to Bayonet Mount  
 ANHM000172 – Swing Arm #172 - Mini Rail to Dovetail Adapter  
 ANHM000188 – Dual Bridge #188 with individual side Flip-Up Mechanism  
 ANAF3X0002 – 3x Afocal Lens  
 ANAF5X0002 – 5x Afocal Lens  
 ANAMRF0003 – ARFS3 - Advanced Range-Finding Stadia for 3x Afocal Lens  
 ANAMRF0005 – ARFS5 - Advanced Range-Finding Stadia for 5x Afocal Lens  
 ANEC000001 – Shutter Eyeguard #82  
 ANAM000004 – QRM - Quick-Release Weapon Mount #26/ #142  
 ANAM000045 – Extended Rail Adapter #85 - Dovetail Weaver Picatinny Rail Adapter  
 ANAM000001 – Scope Adapter Mount #6 - Allows NV Monocular to be mounted behind standard daytime optics for nighttime use  
 ANLC000001 – Demist Shield #34  
 ANLC000002 – Sacrificial Window #30  
 ANRA000001 – Dovetail#21 - Weaver Transfer Piece to attach IR Illuminator  
 ANAM000029 – Camera Adapter #46  
 ANAM000006 – Universal Camera Adapter #45 - Fully-Adjustable Video/ Photo Camera Adapter  
 ANKIXLR017 – IR850-XLR Detachable Extra Long Range Infrared Illuminator w/Dovetail to Weaver Transfer Piece #21, Rechargeable Battery, and Charger  
 ANAF18XXLR – IR850XLR Afocal Doubler - Enhances performance of IR850-XLR  
 ANHC000001 – Hard Shipping/ Storage Case #101



### FLIR OUTDOOR & TACTICAL SYSTEMS

815 Dubuque Avenue,  
South San Francisco,  
CA 94080

Phone: 1-888-959-2259  
or (650) 492-7755  
Fax: 1-888-959-2260

International Phone/Fax:  
(650) 492-7755

### US Commercial Sales

OTS-Sales@flir.com

### Government Sales

OTS-Gov@flir.com

### International Sales and Export

OTS-Export@flir.com

### Technical Support, Repairs, Returns, Refunds & Warranty

OTS-Support@flir.com

[www.flir.com/ots](http://www.flir.com/ots)  
NASDAQ: FLIR

Equipment described herein is subject to US export regulations and may require a license prior to export. Diversion contrary to US law is prohibited. Imagery for illustration purposes only. Specifications are subject to change without notice. ©2017 FLIR Systems, Inc. All rights reserved.

Rev.1 - 01/04/18



The World's Sixth Sense™