

SR-SERIES

Fixed-Site Thermal Security Cameras



THE BEST THERMAL SECURITY CAMERAS IN THE BUSINESS

FLIR's powerful SR-Series thermal security cameras complement and complete your security camera network. They turn night into day, allowing you to see intruders invisible to the naked eye.

FLIR's SR-Series thermal security cameras feature full 320 × 240 image resolution, come in industry-standard environmental enclosures, use common ¼-20 mounting hardware, and are compatible with a wide variety of third-party mounts and pedestals (Bosch, Video Alarm and Pelco, to name a few), making installation a snap. An optional Pan/Tilt that operates with Pelco D control protocol is also available.

- Creates video images from heat, night and day, in good weather and bad
- High-quality 24/7 thermal video security coverage
- Available lenses: 19 mm (36° FOV), 35 mm (20° FOV), 50 mm (14° FOV) & 100 mm (4.6° FOV)
- Digital Detail Enhancement (DDE) for optimal image quality
- NTSC or PAL composite video-output is compatible with all third-party accessories
- External Video-Analytics compatible
- Pelco D, RS-232 & RS-422 capability on certain models
- Network ready – fully compatible with third-party video encoders
- Optional Pan/Tilt has Pelco D interface control and is widely supported by other third-party control solutions
- High contrast imagery optimized to get the most out of video analytics software to create virtual perimeters
- No need for the expense and complication of added lighting infrastructure
- Clear vision in challenging conditions (lowlight, no light, backlight, haze, smoke, fog, etc.)

PERFECT FOR:

- Monitoring dimly lit or unlit entries and exits
- Indoor and outdoor parking lots and structures
- Warehouses, waterfronts, large open areas
- Residential properties and gated communities
- Anywhere you need to see at night



Thermal cameras provide threat detection and 24-hour situational awareness.

SR-SERIES

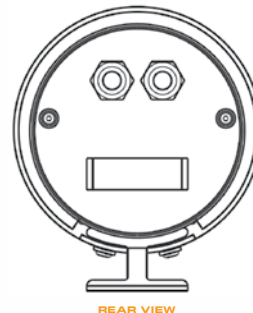
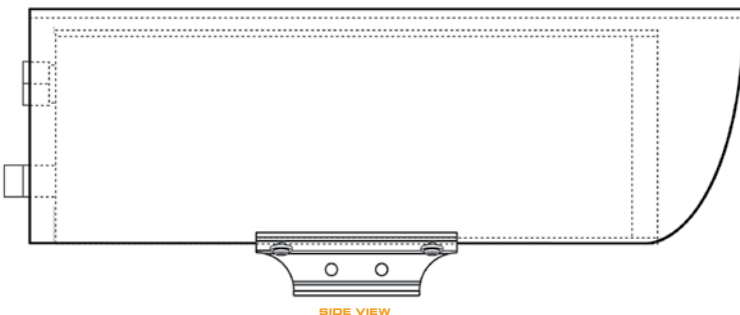
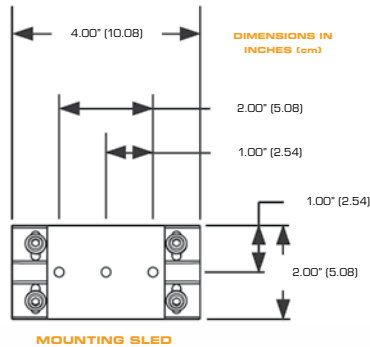


| Camera Model | SR-19 | SR-35 | SR-50 | SR-100A |
|------------------------------|---|---|---|--|
| Camera Platform Type | Fixed | Fixed | Fixed | Fixed |
| THERMAL CAMERA SPECS | | | | |
| Array Format (NTSC) | 320 x 240 | 320 x 240 | 320 x 240 | 320 x 240 |
| Detector Type | Long-Life, Uncooled VOx Microbolometer | Long-Life, Uncooled VOx Microbolometer | Long-Life, Uncooled VOx Microbolometer | Long-Life, Uncooled VOx Microbolometer |
| Effective Resolution | 76,800 | 76,800 | 76,800 | 76,800 |
| Pixel Pitch | 38 µm | 38 µm | 38 µm | 25 µm |
| Focal Length | 19 mm | 35 mm | 50 mm | 100 mm |
| Field Of View | 36° x 27° | 20° x 15° | 14° x 10° | 4.6° x 3.7° |
| Zoom | 2x E-zoom | 2x E-zoom | 2x E-zoom | 2x E-zoom |
| Spectral Range | 7.5 µm to 13.5 µm | 7.5 µm to 13.5 µm | 7.5 µm to 13.5 µm | 7.5 µm to 13.5 µm |
| Focus Range | Athermalized; Focus-free | Athermalized; Focus-free | Athermalized; Focus-free | Athermalized; Focus-free |
| Outputs | | | | |
| Composite Video NTSC or PAL | Standard | Standard | Standard | Standard |
| CONTROL | | | | |
| Point to point (stand alone) | Standard | Standard | Standard | Standard |
| Serial | RS-422/-232 | RS-422/-232 | RS-422/-232 | RS-422/-232 |
| GENERAL | | | | |
| Weight | <6 lb | <6 lb | <6 lb | <8 lb |
| Dimensions (L,W,H) | 10.5" x 5" x 5.7" | 10.5" x 5" x 5.7" | 10.5" x 5" x 5.7" | 14.25" x 5" x 5.7" |
| Power Requirements | 14-32 VDC or 18-27 VAC | 14-32 VDC or 18-27 VAC | 14-32 VDC or 18-27 VAC | 14-32 VDC or 18-27 VAC |
| Power Consumption | 3 W nominal at 24 VDC 7 W nominal at 24 VAC 30 W peak AC/DC | 3 W nominal at 24 VDC 7 W nominal at 24 VAC 30 W peak AC/DC | 3 W nominal at 24 VDC 7 W nominal at 24 VAC 30 W peak AC/DC | 36 W peak, at 24 VAC |

All video outputs compatible with external video analytics. SDK available for all cameras.

SR-SERIES CAMERA MEASUREMENTS

| | Length | Height |
|--|-----------------|-----------------|
|  SR-19 / -35 / -50 | 10.5" (26.7 cm) | 5.7" (14.48 cm) |
|  SR-100A | 14.5" (36.8 cm) | 5.7" (14.48 cm) |



SANTA BARBARA
CVS World Headquarters
 FLIR Commercial Vision Systems, Inc.
 70 Castilian Dr.
 Goleta, CA 93117
 USA
 PH: + 1 877 773 3547
 PH: + 1 805 964 9797
 FX: + 1 805 685 2711

EUROPE
CVS Eurasian Headquarters
 FLIR Systems CVS BV
 Charles Petitweg 21
 4847 NW Teteringen - Breda
 Netherlands
 PH: +31 (0) 765 79 41 94
 FX: +31 (0) 765 79 41 99
 flir@flir.com

PORTLAND
Corporate Headquarters
 FLIR Systems, Inc.
 27700 SW Parkway Ave.
 Wilsonville, OR 97070
 USA
 PH: + 1 877 773 3547
 FX: + 1 503 498 3153
 sales@flir.com

www.flir.com

Equipment described herein may require US Government authorization for export purposes. Diversion contrary to US law is prohibited.
 ©2009 FLIR Systems, Inc. Specifications are subject to change without notice, check our website: www.flir.com. 0906-628

